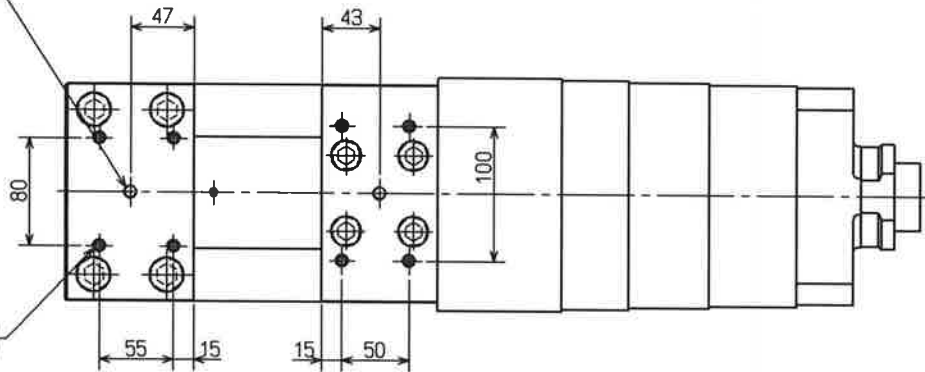


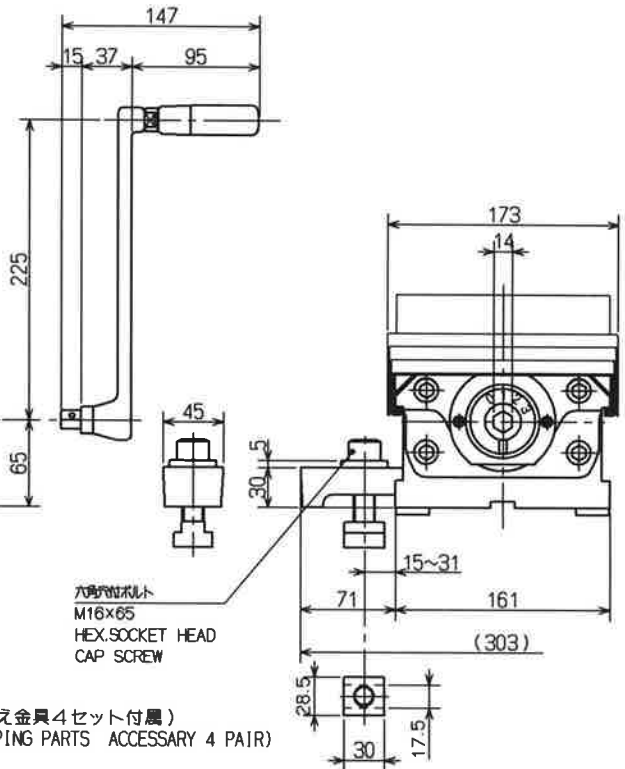
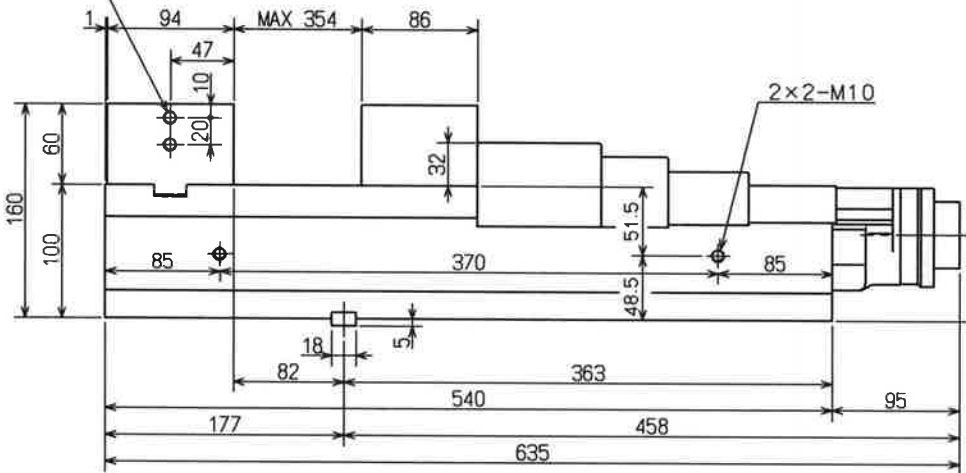
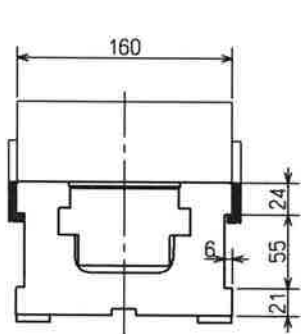
(吊りボルト用)
(EYE BOLT)

| 仕様 SPECIFICATIONS | |
|----------------------------|---------|
| 口金の長さ CLAMPING RANGE | 0~354mm |
| 締付トルク TIGHTENING TORQUE | |
| 締付けレンジ CLAMP RANGE | 0 10KN |
| | 1 20KN |
| | 2 32KN |
| | 3 45KN |
| 製品質量 MASS OF POWER VISE | 69kg |

2×5-M10 深さ20
DEPTH



2×2-M10 深さ20
DEPTH



(押さえ金具4セット付属)
(CLAMPING PARTS ACCESSORY 4 PAIR)

| | | | | | | |
|------------------------------|-------|----------|-----------|---|-------------|----|
| CAREER | | SCALE | TYPE | VE160LN | WEIGHT | kg |
| MANAGER | CHIEF | DRAWN BY | 1:4 | パワーバイス POWER VISE | | |
| KITAGAWA IRON WORKS CO.,LTD. | | DATE | 3RD ANGLE | NAME VE160LN ガイキ VE160LN OUTSIDE VIEW | | |
| | | | | DRW. NO. | 61M:39:6364 | |