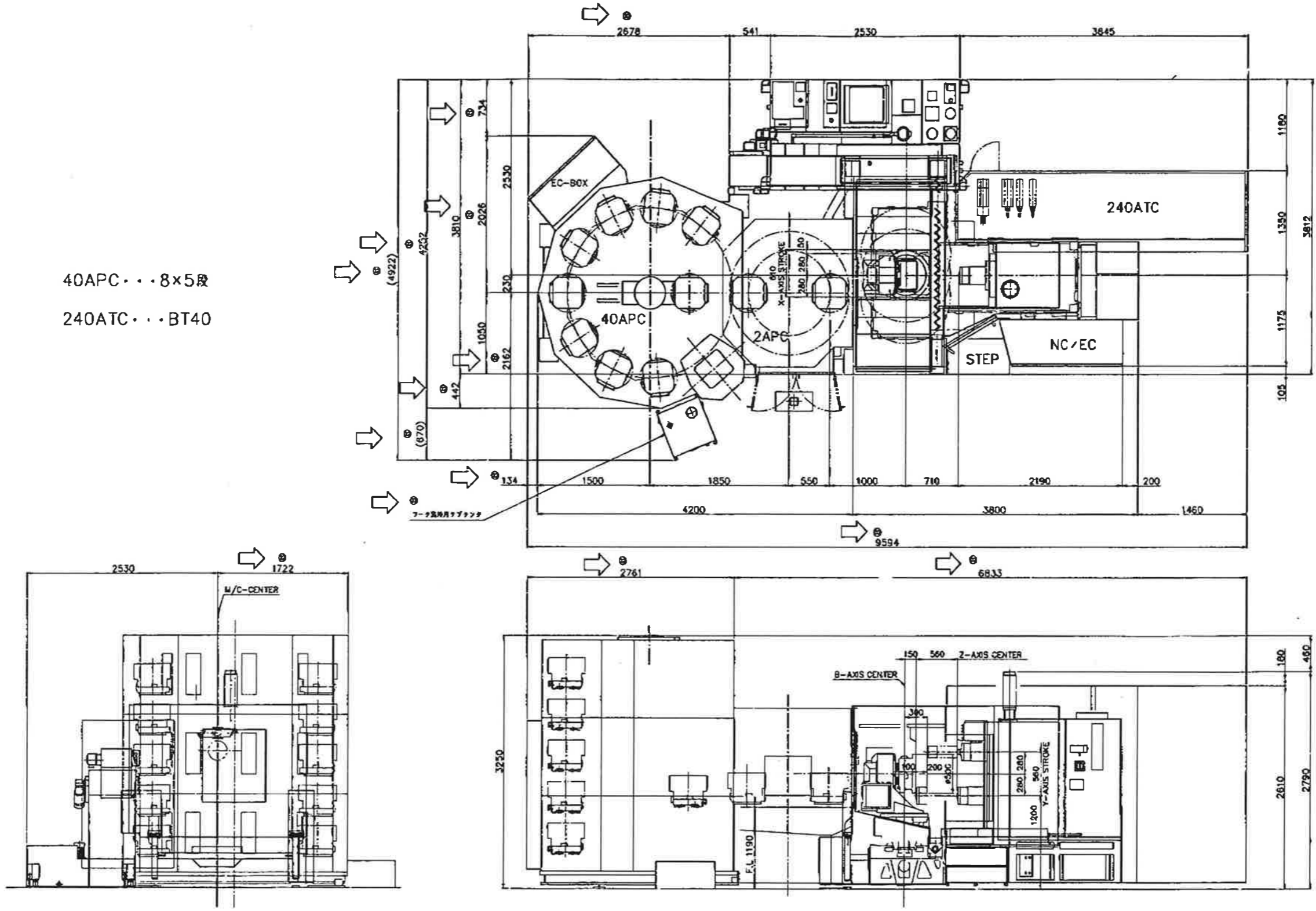


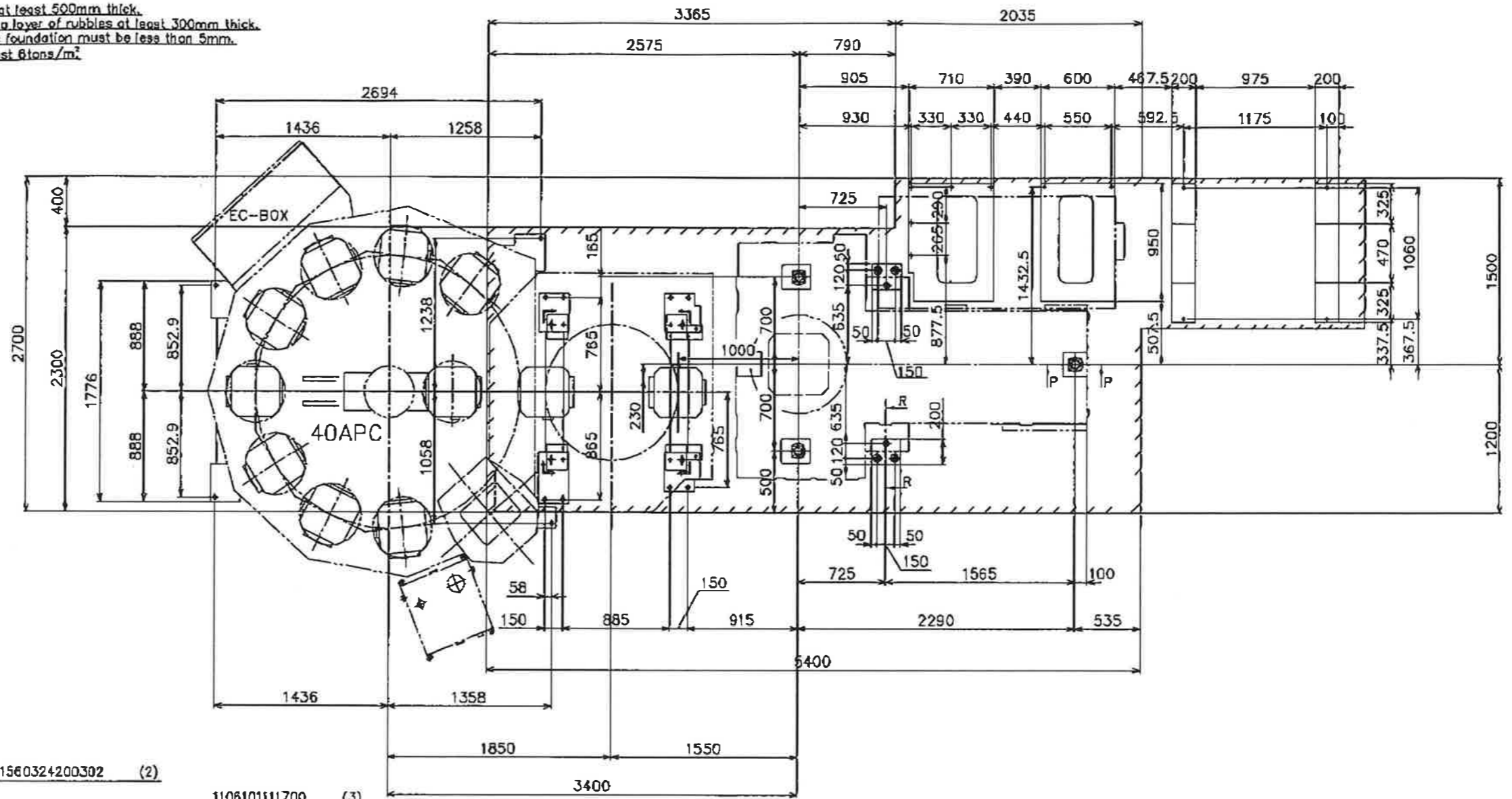
HU40T#503  
レイアウト図



**NOTE**

1. Foundation concrete base must be at least 500mm thick.
2. Under the concrete base prepare a layer of rubbles at least 300mm thick.
3. The flatness within the range of the foundation must be less than 5mm.
4. The ground strength must be at least 6tons/m<sup>2</sup>.

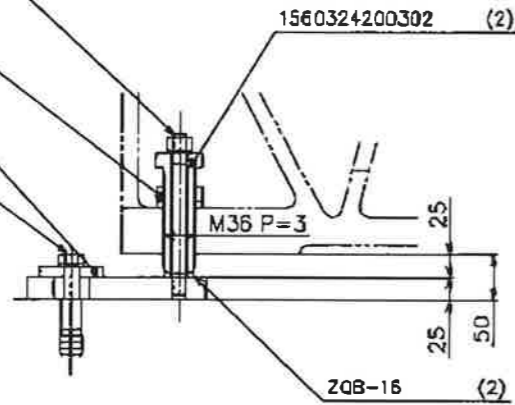
HU40T#503 基礎図



1560324200200	(2)
N-16	(2)
ZB-16	(2)

1560324200900	(2)
1560324201000	(2)

1560324200400	(16)
0147810001690	(16)
GA-16M(三光鋼線)	(16)
B-15x50	(16)
ZB-16	(16)

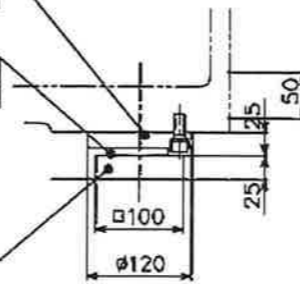


1108101111700	(3)
ZBA-12	(3)
BA-12x30	(3)

1235501880600	(3)
1235501880700	(3)
1235501880800	(3)

組立時に3箇所各2個のボルトを挿入する。

1560324200500	(10)
---------------	------



014770	1612090(B)
C-1612	772-500 (三光鋼線)
N-16	(8)
ZB-16	(8)
ZM-16	(8)

